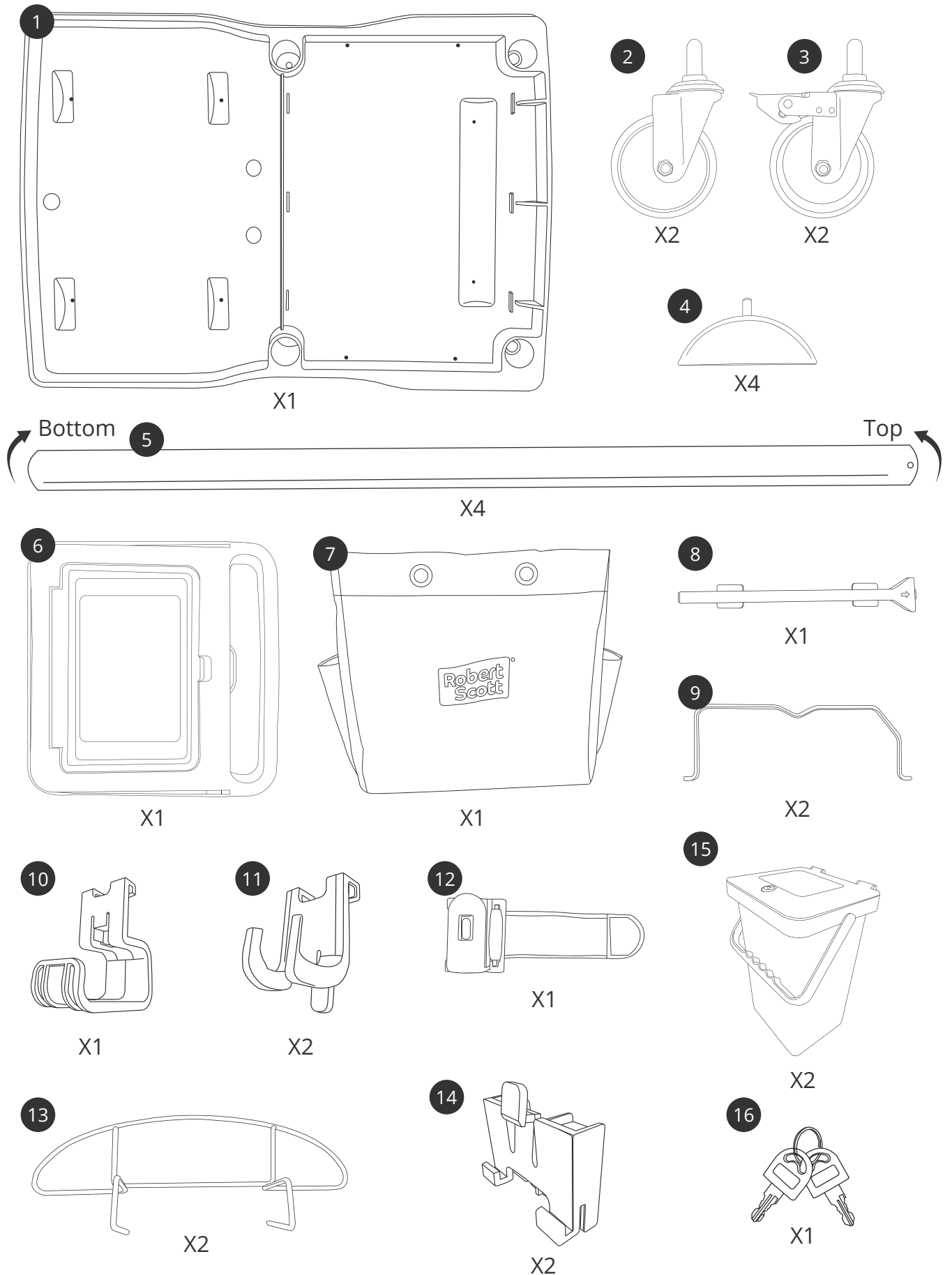
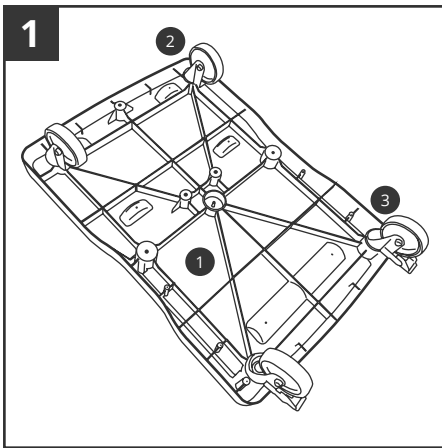


# Exel Multipurpose Trolley Instructions

105140



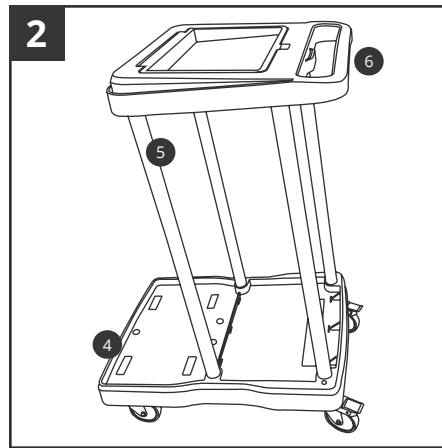
**Tools needed:** 1x rubber mallet



**Step 1:** Align the wheels with the designated holes on the bottom of the base.

Ensure that the wheels with brake pads (3) are installed at the rear of the base (1).

Apply firm but gentle pressure to push each wheel into its corresponding hole.



**Step 2:** Gently push each insert (4) into its designated slot on the base. Ensure that the inserts are flush with the surface of the base.

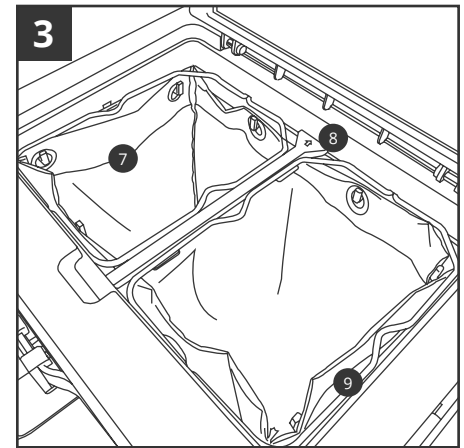
Next, hold the poles (5) upright and apply gentle pressure to insert into their corresponding holes on the base.

**Do not twist the poles during this process.**

To secure the poles in place, use a rubber mallet to gently tap each pole into its hole. Ensure that the poles are fully inserted and securely in place.

Position the bag holder (6) over the top of the base, ensuring that it aligns properly with the poles.

Use a rubber mallet to gently tap the bag holder into place. Apply even pressure around the perimeter of the lid to ensure a secure fit.

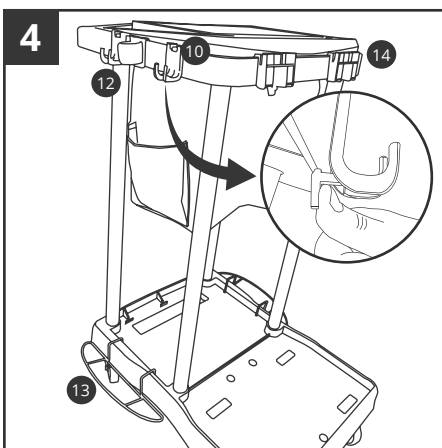


**Step 3:** Open the lid of the bag holder and position the bag (7) inside.

Attach the bag using the hooks inside the bag holder. Ensure that the bag is securely attached to all hooks.

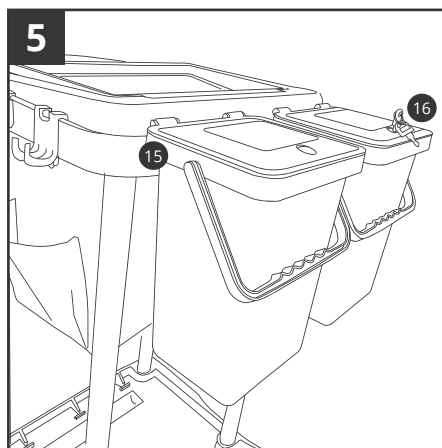
Insert the bag divider (8) into the centre of the bag holder.

Next, position the metal bag supports (9) above the top of the bag, on either side of the bag divider so that the supports are aligned parallel to each other. Make sure the supports are fitted as shown with the angled corners positioned to the front of the trolley.



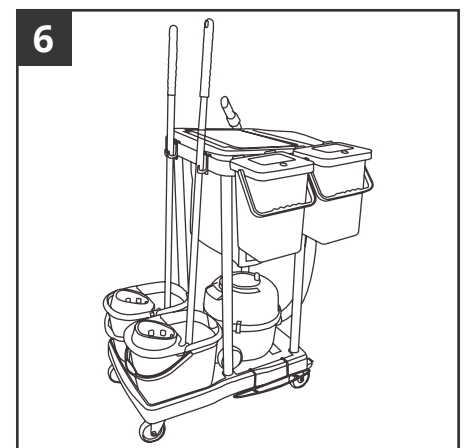
**Step 4:** Position and attach the accessory hooks and attachments (10, 11, 12, 13, 14) around the trolley. Apply pressure evenly to ensure a secure attachment.

Ensure that the hooks and attachments are oriented in the desired direction and that it will not interfere with the trolley's movement or functionality.



**Step 5:** Slide the back of the buckets (15) onto the bucket supports (14) to securely attach.

Use keys (16) provided to securely lock the buckets.



**Step 6:** Customise the trolley according to your specific needs and preferences.

Enjoy the flexibility and versatility of your customised Exel Cleaning Trolley!