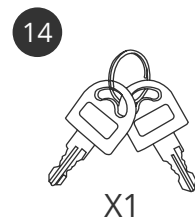
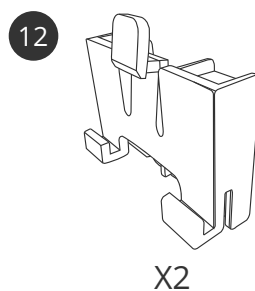
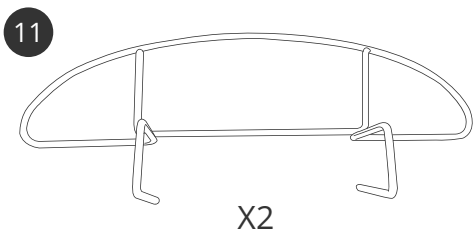
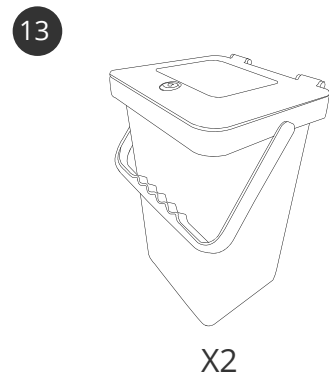
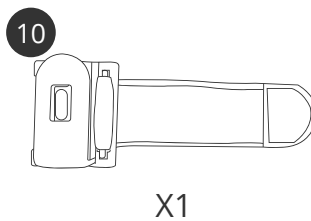
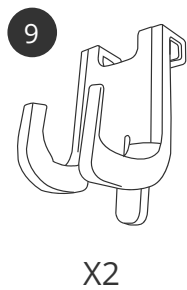
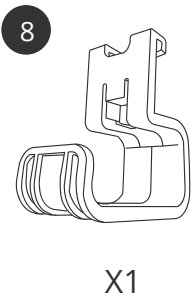
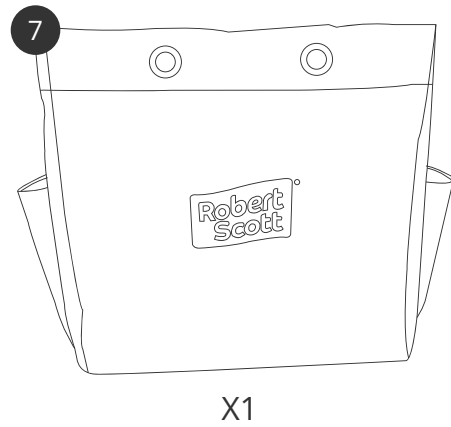
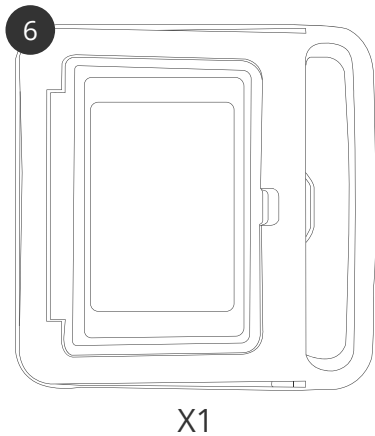
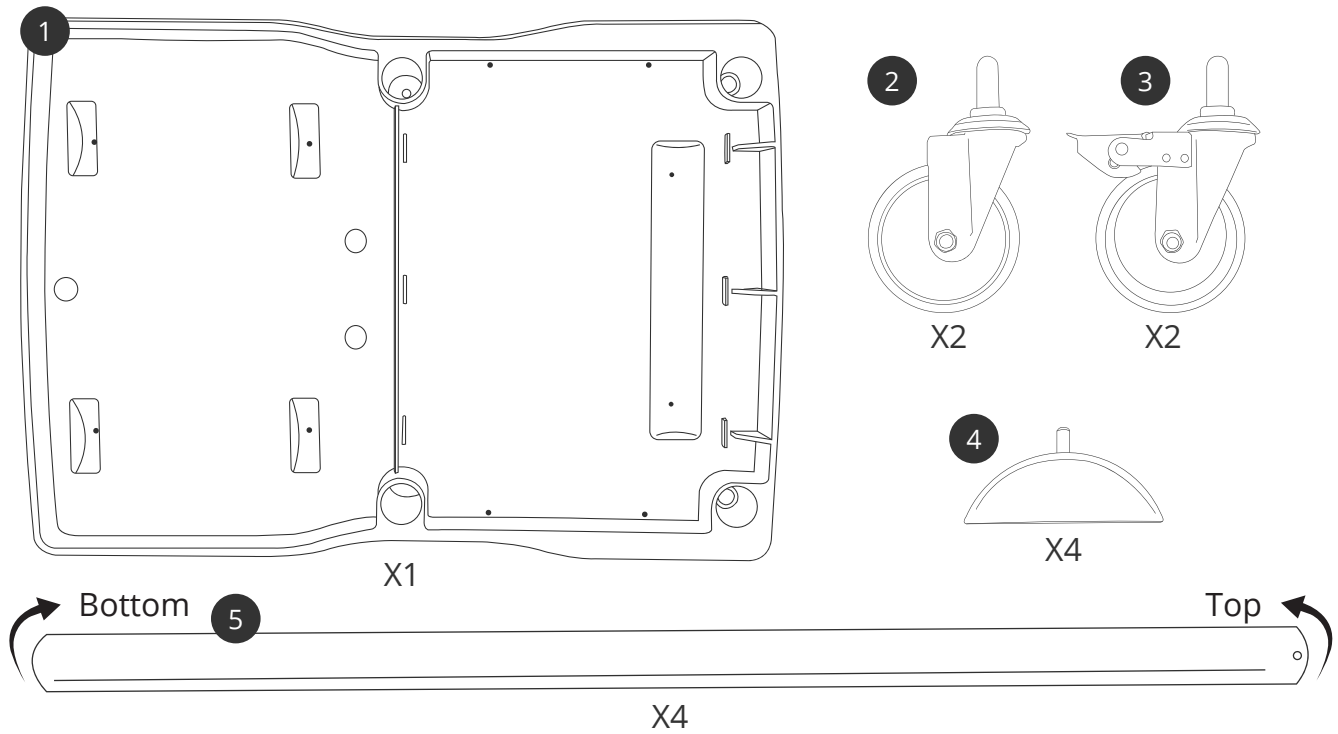
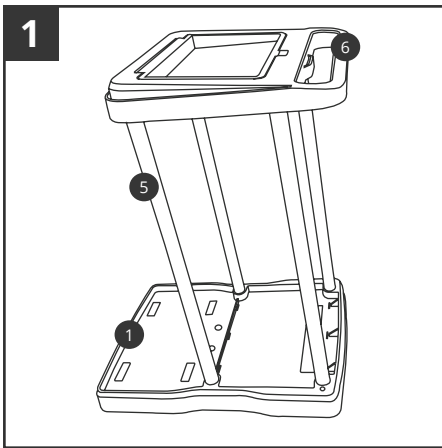


Exel Multipurpose Trolley Instructions

105140



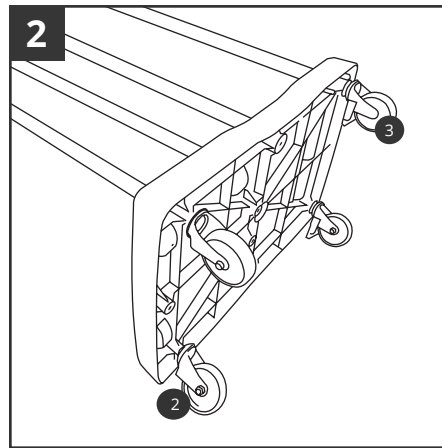


Step 1: Hold the poles (5) upright and apply gentle pressure to insert into their corresponding holes on the base. (1) Once located, push poles down firmly to secure.

Ensure that the poles are fully inserted and securely in place.

Position the bag holder (6) over the top of the base, ensuring that it aligns properly with the poles.

Apply even pressure around the perimeter of the lid to ensure a secure fit.

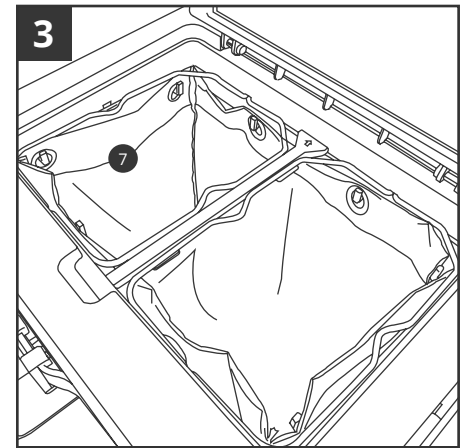


Step 2: Carefully turn the trolley onto its side.

Align the wheels with the designated holes on the bottom of the base.

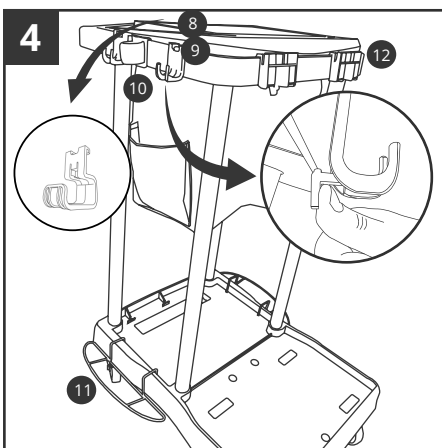
Ensure that the wheels with brake pads (3) are installed at the rear of the base.

Apply firm but gentle pressure to push each wheel into its corresponding hole.



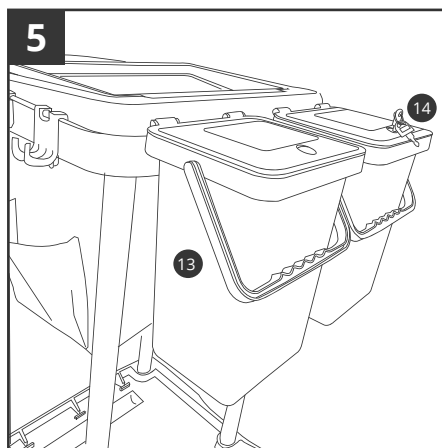
Step 3: Open the lid of the bag holder and position the bag (7) inside.

Attach the bag using the hooks inside the bag holder. Ensure that the bag is securely attached to all hooks.



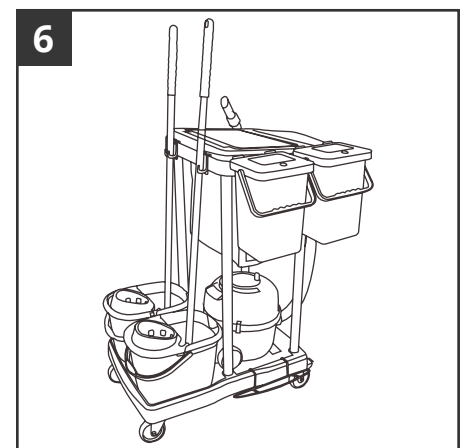
Step 4: Position and attach the accessory hooks and attachments (8, 9, 10, 11, 12) around the trolley. Apply pressure evenly to ensure a secure attachment.

Ensure that the hooks and attachments are oriented in the desired direction and that it will not interfere with the trolley's movement or functionality.



Step 5: Slide the back of the buckets (13) onto the bucket supports (12) to securely attach.

Use keys (14) provided to securely lock the buckets.



Step 6: Customise the trolley according to your specific needs and preferences.

Enjoy the flexibility and versatility of your customised Exel Cleaning Trolley!